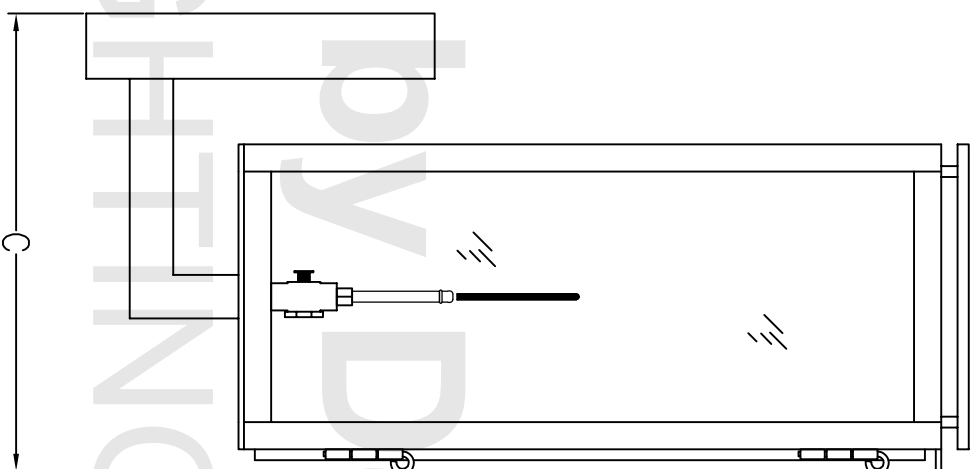
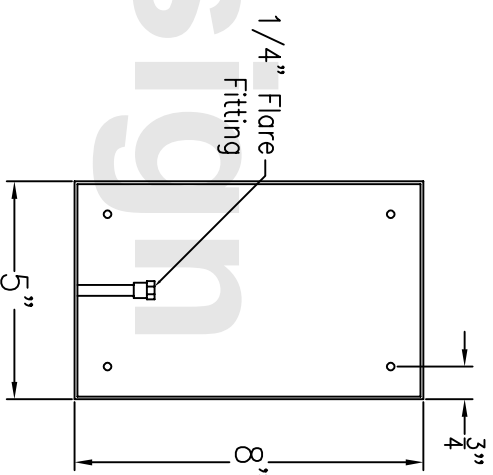


**Front View**



**Side View**



**Backplate**

ALL DIMENSIONS IN INCHES  
Light are handdratted. Dimensions may vary by 1/4".

Size	A	B	C	D
Pacific 1	14 5/8"	6 3/8"	9 7/8"	18 1/4"
Pacific 2	16 5/8"	7"	10 1/2"	20 1/4"
Pacific 3	18 7/8"	8 5/8"	12 1/8"	22 1/2"
Pacific 4	20 7/8"	10 1/8"	13 5/8"	24 1/2"

**Gas Connection:**  
1/4" Flare fitting to be installed by a licensed plumber

To mount light, attach the mounting bar provided to the junction box with screws. Screw all thread nipple into the mounting bar, leaving enough room of the nipple to penetrate through the hole in the bracket. Position the light over the all thread nipple and attach cap, tightening to securely mount light.

This drawing and design is the property of Carroll by Design. It may not be used for any purpose other than by the owner. Carroll by Design does not authorize the reproduction or conveyance of any information contained herein without prior written permission.

File name	Date	Scale
PAC	3/31/22	NTS

**Carroll by Design**  
LIGHTING

**PACIFIC**