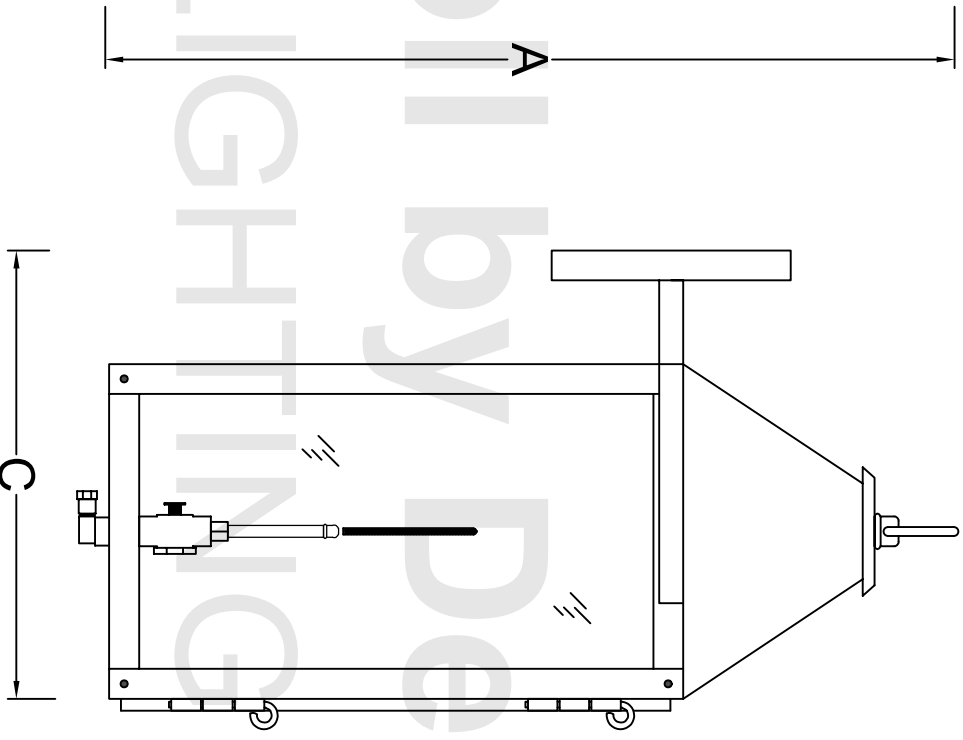
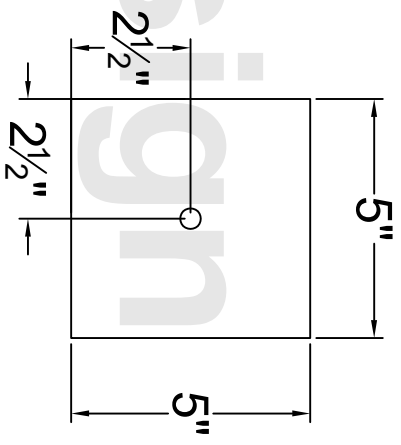


Front View



Side View



ALL DIMENSIONS IN INCHES  
Light are handcrafted. Dimensions may vary by 1/4".

**Gas Connection:**  
1/4" Flare fitting to be installed by a licensed plumber

To mount light, Place provided Spacers on post. Connect the gas line from the lantern to the main. Make sure to test the fittings for gas leaks before securing the lantern to the post. Secure light to post with Self Tapping Screws. Copper sleeve fits over 3" post.

This drawing and design is the property of Carroll by Design. It may not be used for any purpose other than by the owner. Carroll by Design does not authorize the reproduction or conveyance of any information contained herein without prior written permission.

File name	Date	Scale
HUR	5/13/20	NTS

Size	A	B	C
Huron 1	17 3/4"	7"	9 3/8"
Huron 2	21"	8 5/8"	11"
Huron 3	24"	10 1/8"	12 1/2"
Huron 4	28 1/2"	12 1/8"	14 1/2"

**Carroll by Design**  
LIGHTING

**HURON**