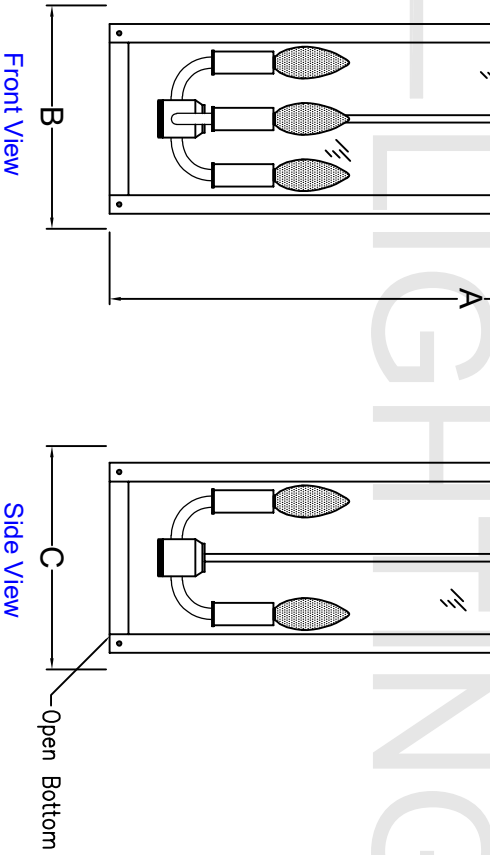


Ceiling Canopy



ALL DIMENSIONS IN INCHES
Light are handcrafted. Dimensions may vary by 1/4".

Size	A	B	C
Bay View 1	21 1/2"	6"	6"
Bay View 2	24 1/4"	7 1/2"	7 1/2"
Bay View 3	27 1/2"	9"	9"
Bay View 4	30 1/4"	10 1/2"	10 1/2"

File name	Date	Scale
BV	5/13/20	NTS

Gas Connection:
1/4" Flare fitting to be installed by a licensed plumber

Attach the Mounting bar to the junction box with screws. Screw the nipple into the Mounting bar, leaving enough of the screw to penetrate the ceiling canopy. Connect wires to power source. Smooth to Black, Ribbed to White. Position ceiling canopy mount under the all thread and attach nut, tightening to securely mount light.

This drawing and design is the property of Carroll by Design. It may not be used for any purpose other than by the owner. Carroll by Design does not authorize the reproduction or conveyance of any information contained herein without prior written permission.

Carroll by Design
LIGHTING

BAY VIEW