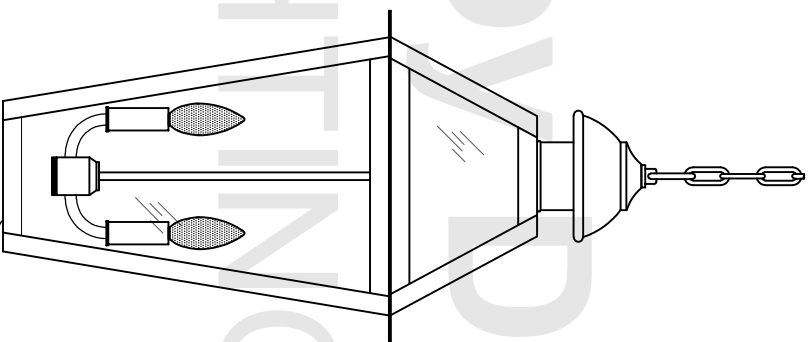
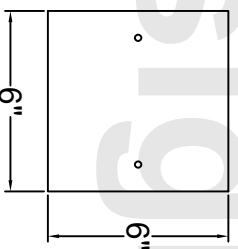


Front View



Side View



Ceiling Canopy

ALL DIMENSIONS IN INCHES  
Light are handcrafted. Dimensions may vary by 1/4".

Size	A	B	C
MB 1	17 7/8"	9 1/2"	9 1/2"
MB 2	22 1/8"	11"	11"
MB 3	25 7/8"	13"	13"
MB 4	30 5/8"	15 5/8"	15 5/8"

File name	Date	Scale
MB	5/14/20	NTS

Attach the Mounting bar to the junction box with screws. Screw the nipple into the Mounting bar, leaving enough of the screw to penetrate the ceiling canopy. Connect wires to power source. Smooth to Black, Ribbed to White. Position ceiling canopy mount under the all thread and attach nut, tightening to securely mount light.

This drawing and design is the property of Carroll by Design. It may not be used for any purpose other than by the owner. Carroll by Design does not authorize the reproduction or conveyance of any information contained herein without prior written permission.

**Carroll by Design**  
LIGHTING

**MOUNTAIN BROOK**